

FAUCET TYPE

- B1H** Suicide Resistant Filler/Bubbler.
- B3H** Suicide Resistant Filler.
- Single Hole** On Center. (Faucet by others)
- 4" Centerset** Three Holes. (Faucet by others)

HAND BASINS

- RB** Rectangular Basin (Standard)

LAVATORY WASTE

- SJP** Slip Joint P-Trap. (Standard)

OPTIONS/ACCESSORIES

- A168** Metal Template for Rough-ins.
- HT** Towel Hook.
- OF** Overflow Vent.
- PCC** Powder Coat - Anti-microbial White.

PNEUMATIC VALVE ASSEMBLIES (0.5 GPM Flow Valves)

- A311** Single Temperature, Single Fixture Valve. (For B1H & B3H only)
- A312** Dual Temperature, Single Fixture Valve. (For B1H & B3H only)

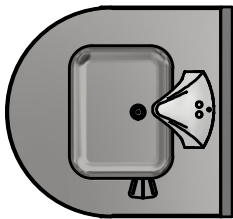
(For B1H & B3H only)

Note: To mount lavatory in accordance with "HC" requirements the rim height must be mounted at 34 (864mm) above finished floor.

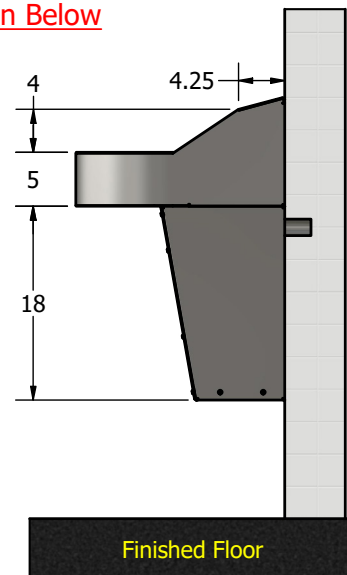
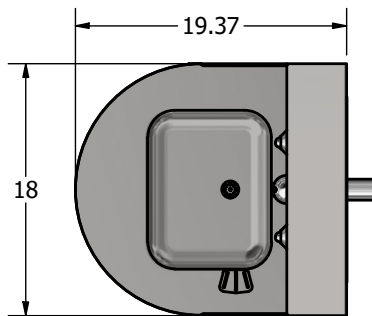
LAVATORY FIXTURE - 5680-BAR

Item: _____

Deck-Mounted Configuration



Splash-Mounted Shown Below



Due to continuous product improvement Metcraft reserves the right to make changes in design and specifications without prior notice. All dimensions should be verified with the factory for current information.

APPROVED FOR MANUFACTURING	Company: _____	Name: _____
	Signature: _____	Date: _____