

WALL THICKNESS AND TYPE (Must Specify)

Thickness: _____ Type: Concrete Block Steel

OUTLET/MOUNTING

- FW** On the floor, wall outlet (Standard).
- OW** Off the floor, wall outlet.
- FF** On the floor, floor outlet.

SPOUT

- B1** Filler/Bubbler Spout.
- B1H** Suicide Resistant Filler/Bubbler Spout.
- B2** Filler/bubbler Spout with mouthguard.
- B3H** Suicide Resistant Filler Spout.

HAND BASINS

- OB** Oval Basin. (Standard)
- RB** Rectangular Basin.

LAVATORY WASTE

- EPE** Elbow Waste Plain End. (Standard)
- EPL** Elbow Waste Plain End through the wall.
- ET2** Elbow Waste.
- PPE** P-Trap Plain End.
- PPL** P-Trap Plain End through the wall.
- PT2** P-Trap.
- SJP** Slip Joint P-Trap.
- CWO** Combined Waste.

TOILET WASTE

- PE** Plain End Waste - 4" off fixture. (Standard)
- PL** Plain End Waste - 3" into Chase.
- GW** Gasket Waste Outlet.

Product Options

- AFH** Hydraulic Anti-Flood Valve.
- MS** Mirror Finish Toilet Seat. (Standard)
- MA** Ligature Resistant Skirt.
- HT** Towel Hook.
- PH** Recessed Tissue Holder. (Standard)
- TB** Toothbrush Holder.
- OF** Overflow Vent.
- VG** Vent Grille

OPTIONS/ACCESSORIES

- A168** Metal Template for Wall Openings.
- TSC** Toilet Seat Cover

No-Hub Connectors

- A210-3** 3" s/s to 3" CI 1.6gpf No-hub Connector.
- A210-1** 3" s/s to 4" CI 1.6gpf No-hub Connector.
- A210-9** 2-3/8" s/s to 3" CI 1.28gpf No-hub Connector.
- A210-8** 2-3/8" s/s to 4" CI 1.28gpf No-hub Connector.

OPTIONS/ACCESSORIES (CONTINUED)

- A215-3** 3" No-hub Test Tee.
- A215-4** 4" No-hub Test Tee.
- A216-3** Pinned Cleanout Plug 3"
- A216-4** Pinned Cleanout Plug 4"
- A247** Flush Valve thru wall connector.

LAVATORY WASTE EXTENSIONS

- A235** Trap Assembly. (For 1.5" female connection)
- A240** Waste Extension for 1-1/2". (For 1.5" female connection)

LAVATORY WASTE ADAPTER COUPLINGS

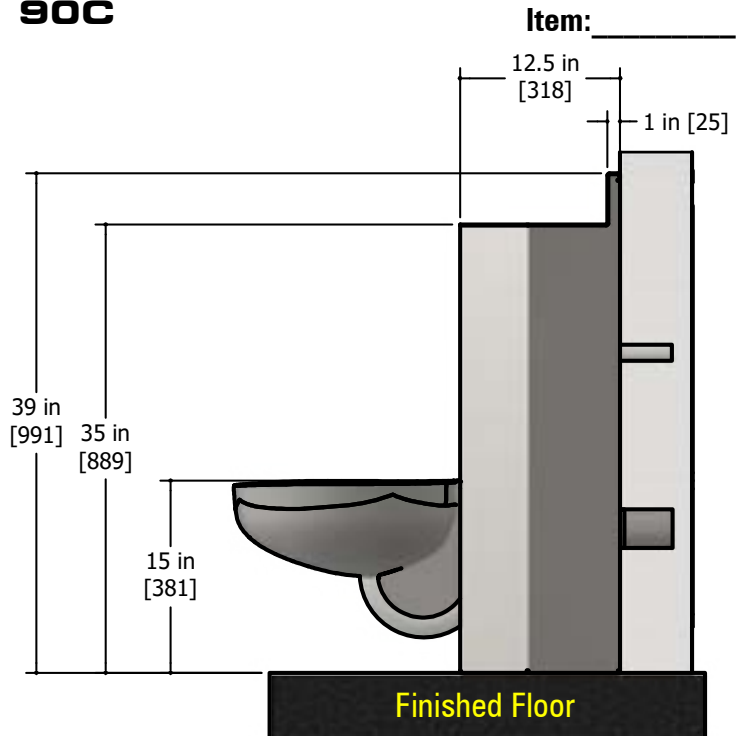
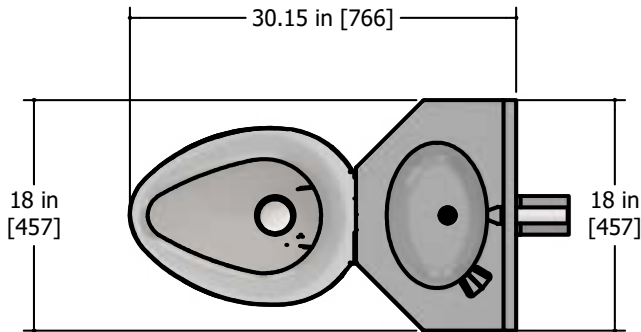
- A205-1** Lavatory Waste Coupling 1-1/4" (32mm) s/s to 1-1/2" (38mm) Copper.
- A205-2** Lavatory Waste Coupling 1-1/4" (32mm) s/s to 1-1/2" (38mm) PL/STL.
- A205-3** Lavatory Waste Coupling 1-1/4" (32mm) s/s to 2" (38mm) CI.

PNEUMATIC VALVE ASSEMBLIES (0.5 GPM Flow Valves)

- A311** Single Temperature, Single Fixture Valve.
- A312** Dual Temperature, Single Fixture Valve.
- A313** Single Temperature, Manifolder Fixture Valve.
- A314** Dual Temperature, Manifolder Fixture Valve.

COMBINATION FIXTURE - M3118 90C

DIRECTLY REPLACES FORMER MODEL 100-90-C STYLE FIXTURES*



Item: _____

* Former style 100- fixtures are different in over all size and rough-in locations than current fixtures.

Due to continuous product improvement Metcraft reserves the right to make changes in design and specifications without prior notice. All dimensions should be verified with the factory for current information.

APPROVED FOR MANUFACTURING	Company: _____	Name: _____
	Signature: _____	Date: _____