



Metcraft[®]
Industries, Inc.



**Ligature Resistant
Solutions**

Metcraft Ligature Resistant Solutions

Toilet Paper Holders

Available Models:

- A720
- A721
- A721-1
- A722
- A722-1
- A723
- A723-1



Mirrors

Available Models:

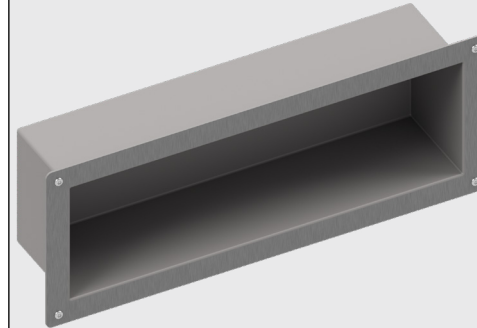
- A752
- A753
- A754
- A755
- A756
- A757
- Custom



Recessed Shelves

Available Models:

- A810
- A811



Grab Bars

Available Models:

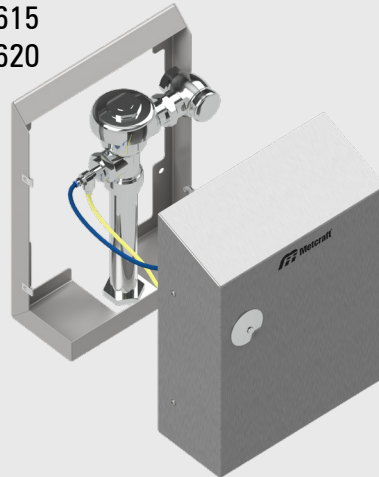
- A540LR-LH
- A540LR-RH
- A550LR
- A551LR
- A552LR
- A553LR
- A554LR



Flush Valve Enclosures

Available Models:

- A615
- A620

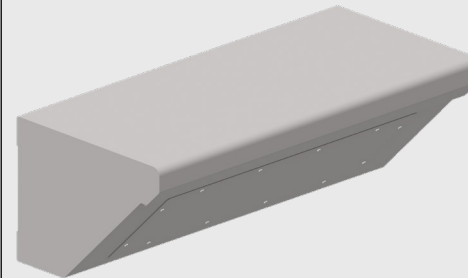


Shower Seat

Our LR shower seat mounts in a corner and features a rounded top to help eliminate tie-off points.

Available Models:

- A517-LR



Metcraft LR Products

Metcraft offers a full line of ligature resistant products. Through constant innovation, we continue to offer new and improved designs to provide safe and secure fixtures. With solutions for new facilities and retro-fit applications we have the perfect products for you.

Ligature resistant products greatly reduce tie-off points minimize the risk of self-harm. Combined with diligent supervision and screening, these products can make your facility a safer environment for everyone!



Metcraft Ligature Resistant Solutions

On Floor Models



Wall Mounted Models



Product Description

Our LR lavatory fixtures come in two design options. On floor models extend to the floor to help prevent tie-off points on the lavatory body. Wall mounted models feature a ligature resistant enclosure with integrated wings to prevent tie-off points on the lavatory body. These units are fabricated using 14 gauge type 304 stainless steel.

Available Models

On Floor Models

- 5618-LR
- 5620-LR

Wall Mounted Models

- 5680-LR
- 5680-LR w/ Extended Trap
- 5680-LRA
- 5680-LRX

Lavatory Fixtures

Our lavatory fixtures have several standard ligature resistant features.

- *Hemispheric Bubbler:* The entire surface of this bubbler is rounded to eliminate tie-off points.
- *LR Push Buttons:* These low profile push buttons feature a large button for easier activation.
- *Fully Enclosed Trap:* All of our LR lavatories feature a fully enclosed waste trap.
- *Sloped Top:* Wall mounted models feature a sloped top to eliminate the top surface as a tie off point.



Metcraft Ligature Resistant Solutions



Product Description

Our LR toilet fixtures are fabricated using 14 gauge type 304 stainless steel.

Powder Coat Option: Most of our products have the option of an antimicrobial powder coat finish. This gives the fixture the appearance of traditional porcelain china while having the strength and durability of stainless steel.

Available Models

Wall Outlet Models

- 4620-LR & 4625-LR
- 4630-LR & 4635-LR
- 4670-LR & 4675-LR
- 4680-LR & 4685-LR

On Floor Models

- 4640-LR & 4645-LR
- 4641-LR & 4646-LR
- 4642-LR & 4647-LR
- 4643-LR & 4648-LR
- 4650-LR & 4655-LR
- 4651-LR & 4656-LR
- 4652-LR & 4657-LR
- 4653-LR & 4658-LR

Toilet Fixtures

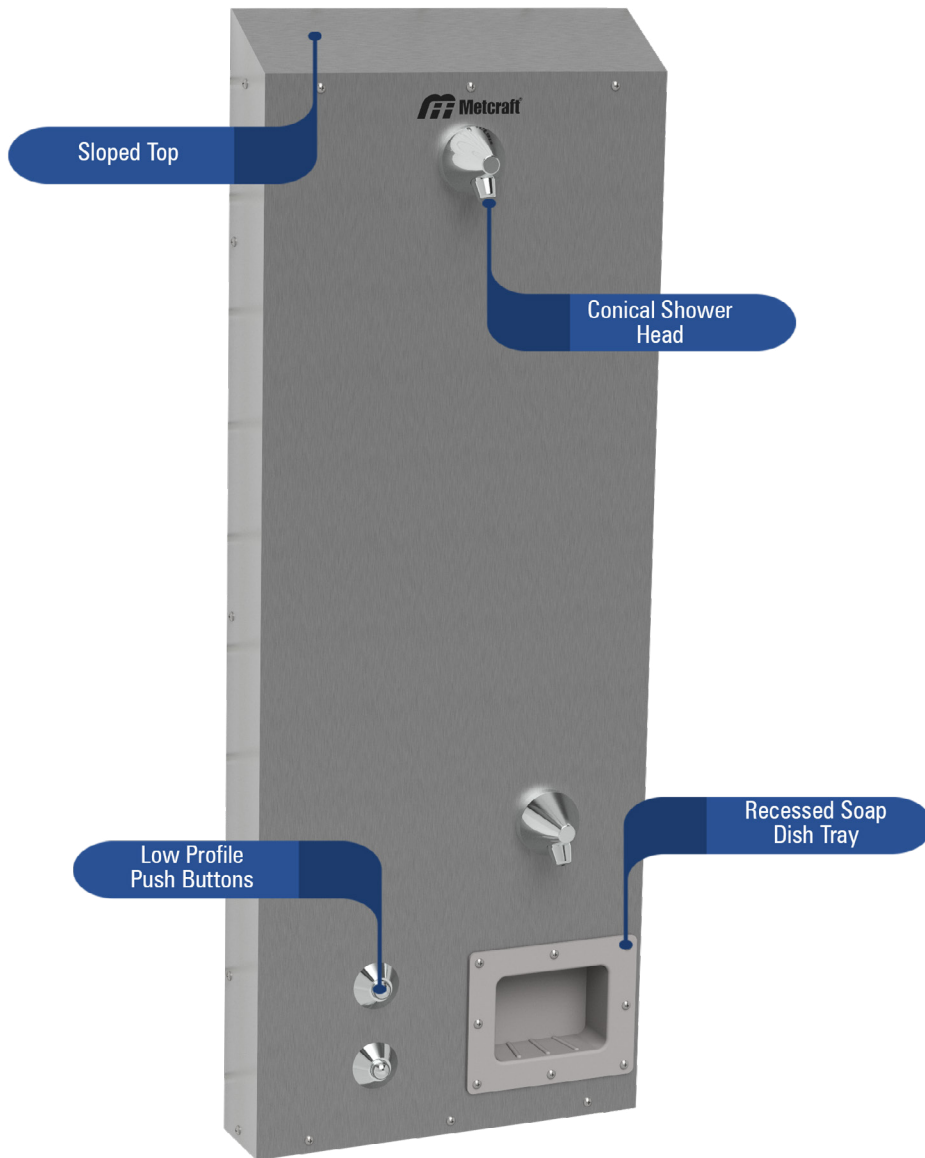
Our toilet fixtures feature our ligature resistant toilet bowl skirt.

- *Toilet Bowl Skirt:* This skirt extends to the floor fully enclosing the bottom of the bowl and the waste tube.

We have a wide selection of standard LR toilets listed in the available model section to the left. If one of these models does not meet your requirements contact us and we can provide custom engineering to help meet the needs of your facility including direct replacements for china fixtures!



Metcraft Ligature Resistant Solutions



Product Description

Our LR shower fixtures are available in both shower panels as well as complete shower cabinets. These units are constructed of heavy gauge type 304 stainless steel.

Available Models

Chase Mounted Models

- 8120-LR
- 8125-LR

Front Mounted Models

- 8601-LR
- 8606-LR

Surface Mounted Models

- 700-SHS-LR
- 700-SHS-HC-LR

Shower Cabinets

- 8160-LR Series
- 8170-LR Series

Shower Fixtures

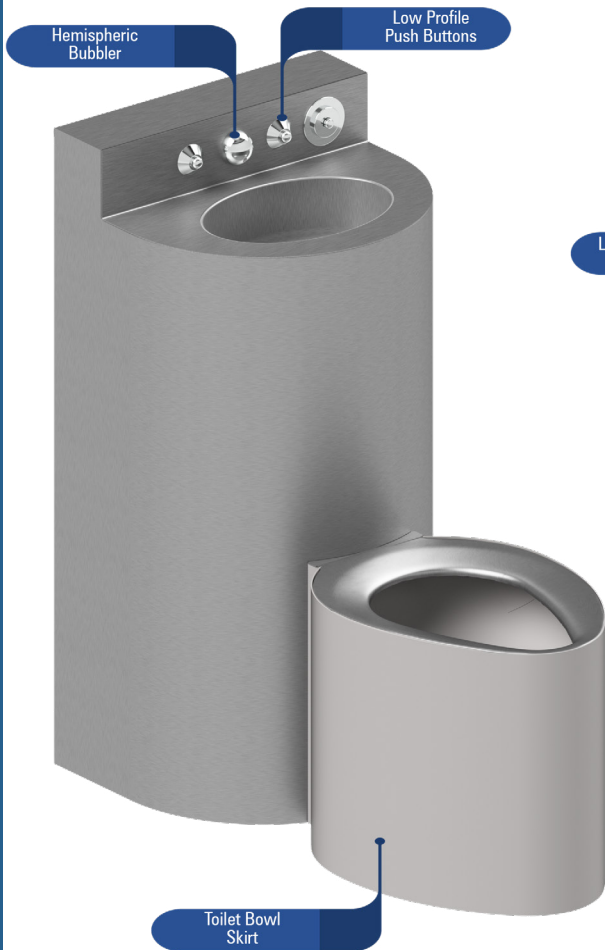
Our shower fixtures have several standard ligature resistant features. Some features are not on all models.

- *Conical Shower Head:* Our LR showerheads feature a low profile body that is conical in shape to help prevent tie-off points.
- *LR Push Buttons:* These low profile push buttons feature a large button for easier activation.
- *Sloped Top:* Chase and Surface mounted shower panels feature a sloped top.
- *Recessed Soap Dish Tray:* Our recessed soap dish is standard on all LR shower fixtures.



Metcraft Ligature Resistant Solutions

LR Combination Fixture



LRE Combination Fixture



Product Description

Our LR combination fixtures come in two variations. The standard LR version features a round body which presents less of a correctional appearance. We also offer a LRE variation which features the standard security fixture with added wings on the body to reduce the possibility of tie-off. These units are fabricated using 14 gauge type 304 stainless steel and are available with our standard 1.6 gpf toilet or our HET 1.28 gpf toilet.

Available Models

Chase Mounted LR Models

- 3115-45R&L-LR
- 3115-90C-LR
- 3118-45R&L-LR
- 3118-90C-LR

Chase Mounted LRE Models

- 3115-45R&L-LRE
- 3115-90C-LRE
- 3118-45R&L-LRE
- 3118-90C-LRE
- 3118-90R&L-LRE

Front Mounted LRE Models

- 3618-45R&L-LRE
- 3618-90C-LRE

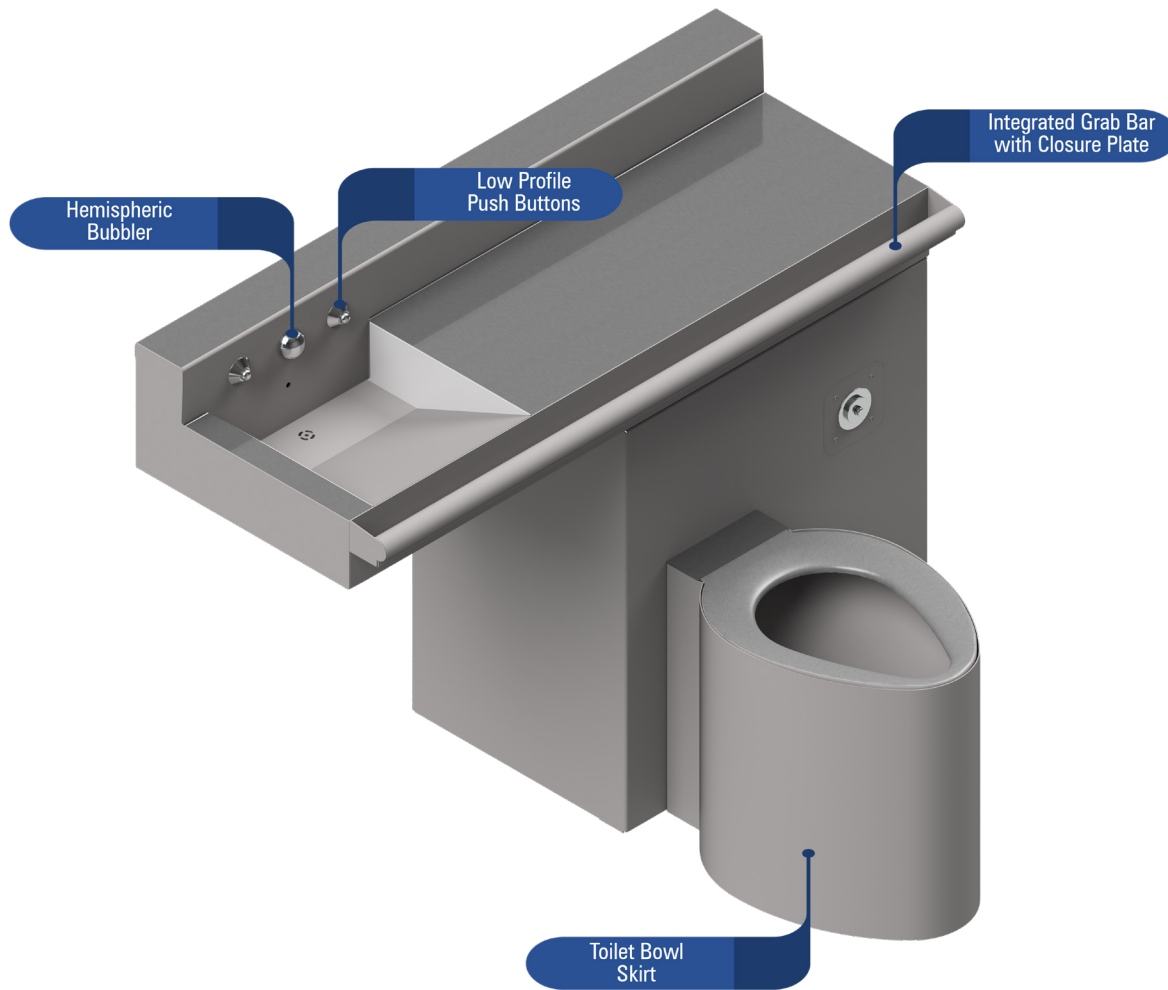
Combination Fixtures

Our combination fixtures have several standard ligature resistant features.

- *Hemispheric Bubbler:* The entire surface of this bubbler is rounded to eliminate tie-off points.
- *LR Push Buttons:* These low profile push buttons feature a large button for easier activation.
- *Toilet Bowl Skirt:* This skirt extends to the floor fully enclosing the bottom of the bowl and the waste tube.



Metcraft Ligature Resistant Solutions



Product Description

Our handicap LR combination fixtures are fabricated using 14 gauge type 304 stainless steel. These units are a two-piece assembly that fasten together to form a secure fixture. These units are available with our standard 1.6 gpf toilet or our HET 1.28 gpf toilet.

Available Models

We offer both a chase and front mounted version of our LR handicap combination fixture.

Chase Mounted

- 3137-90R-LR
- 3137-90L-LR

Front Mounted

- 3637-90R-LR
- 3637-90L-LR

HC Combination Fixtures

Our combination fixtures have several standard ligature resistant features.

- *Hemispheric Bubbler:* The entire surface of this bubbler is rounded to eliminate tie-off points.
- *LR Push Buttons:* These low profile push buttons feature a large button for easier activation.
- *Grab Bar:* Our Handicap fixtures feature an integrated grab bar with a closure plate. The closure plate meets the the end and bottom of the grab bar to reduce tie off points while still giving a great gripping surface.
- *Toilet Bowl Skirt:* This skirt extends to the floor fully enclosing the bottom of the bowl and the waste tube.





Metcraft

Ligature Resistant Parts



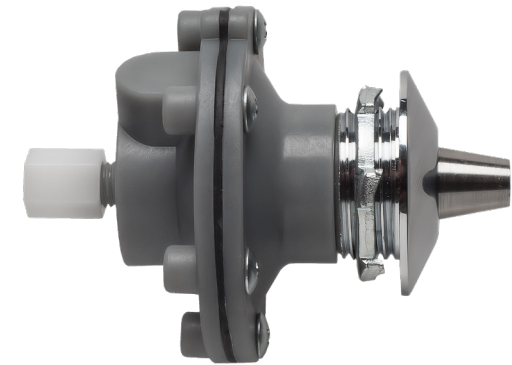
Shower Heads

- 38429: PSH-1C 30° Shower Head*
- 35483: PSH-2C 17.5° Shower Head*



Retro-Fit Valve

- 38278: Dual Temp w/ 4" C-C*
- 38279: Dual Temp w/ 8" C-C*
- 38280: Single Temp w/ 4" C-C*
- 38281: Single Temp w/ 8" C-C*



Retro-Fit Push Buttons

- 16791-LR: Standard Button*
- 30663-LR: Handicap Button*



Bubblers & Fillers

- 38429: B1H Bubbler*
- 30197: B3H Filler*
- 35166: B5H Filler*
- 31501: B5H Bubbler/Filler*



Push Button Assemblies

- 38274: HC Deck Mounted*
- 38288: Deck Mounted*
- 38671: Backsplash Mtd.*
- 38672: HC Backsplash Mtd.*